

10/100/1000Base-T DUAL Port Transformer Module

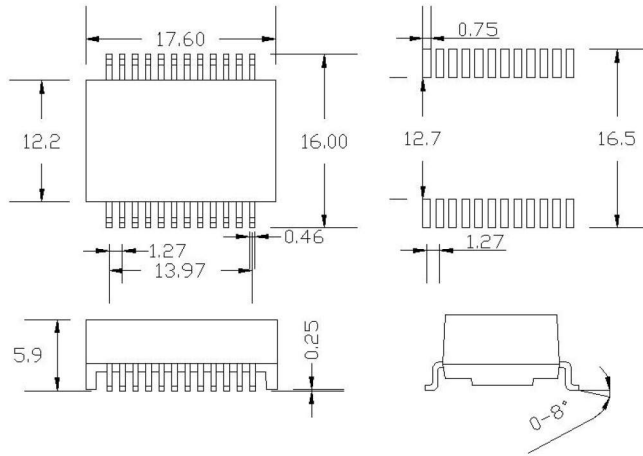
P/N: H2402G

- * Designed to meet IEEE802.3ab requirement
- * Lead-Free & Designed to meet RoHS requirement
- * Designed to meet IR255°C peak requirement
- * Primary inductance 350uH Min with 8mA DC Bias
- * Operating temperature range 0°C to +70°C
- * Storage temperature range: 0°C to +85°C

Electrical Specifications @ 25°C

Part Number	Turn Ratio	Insertion Loss (dB Max)		Return Loss (dB Min)				Cross Talk (dB Min)			Hi-Pot (Vrms MIN)
		1MHz	100MHz	30MHz	60MHz	80MHz	100MHz	30MHz	60MHz	100MHz	
H2402G	1CT:1CT	-1.1	-1.3	-18	-13.1	-12	-10	-40	-35	-33	1500

Mechanical



Dimensions: Inches/mm

Unless otherwise specified tolerances: xx.xo ± 0.25mm

o.xx ± 0.05mm

Schematics

